

Fisher & Paykel
appliances

customer **care**™

Parts Manual Refrigerator / Freezer

Model:
E522BLXFDU G SX 21

Product Code:
22179-A



care

22179-A

CONTENTS

DOOR ASSEMBLIES & COMPONENTS	6
WATER DISPENSER HOUSING AND MODULE CONTROL	8
CABINET COMPONENTS	10
CABINET ACCESSORIES	16
ICE MAKER COMPONENTS AND ICE BIN	18
FAN, COVERS AND EVAPORATOR ASSEMBLIES	20
WATER TANK AND DUCT COVERS	22
ACTIVE SMART ST4 TERMINALS PLUGS & SOCKETS	24
COMPRESSOR, ANCILLARY COMPONENTS & CONTROL MODULE	26
NOTES	28
REFRIGERATION ABBREVIATION KEY	29

GUIDE TO USING THIS MANUAL

The model covered by this manual is listed on the front cover.

The information detailed in this manual is subject to change without notice. The latest version is indicated by the reprint date and replaces any earlier editions.

The front cover picture shows the type of product and may not necessarily be an exact image of the model covered by the manual.

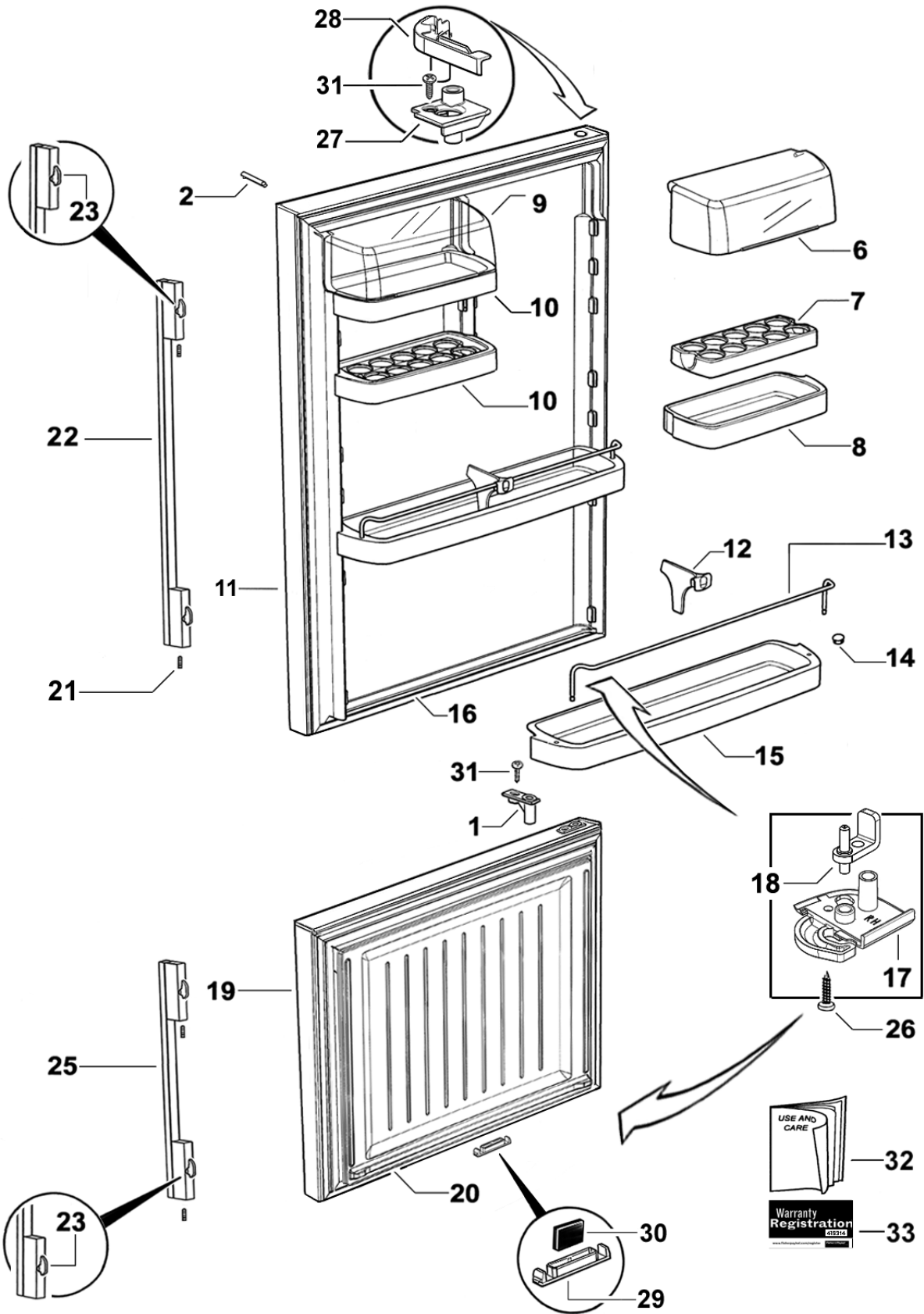
Kit Parts

The components shown in *italics with a part number* are those parts in the kit which are available also as separate items. In addition, some parts may be supplied with this kit which are not available as separate items and are therefore either not listed or a part number is not shown against the part description in this manual.

Parts List Key

NOT USED	As a part, indicates the diagram part reference is not used in this manual.
<i>italics</i>	Kit components or parts included are shown in <i>italics</i> , refer to above notes: Kit Parts
NI	As a part reference, indicates the part is not illustrated on the diagram.

DOOR ASSEMBLIES & COMPONENTS

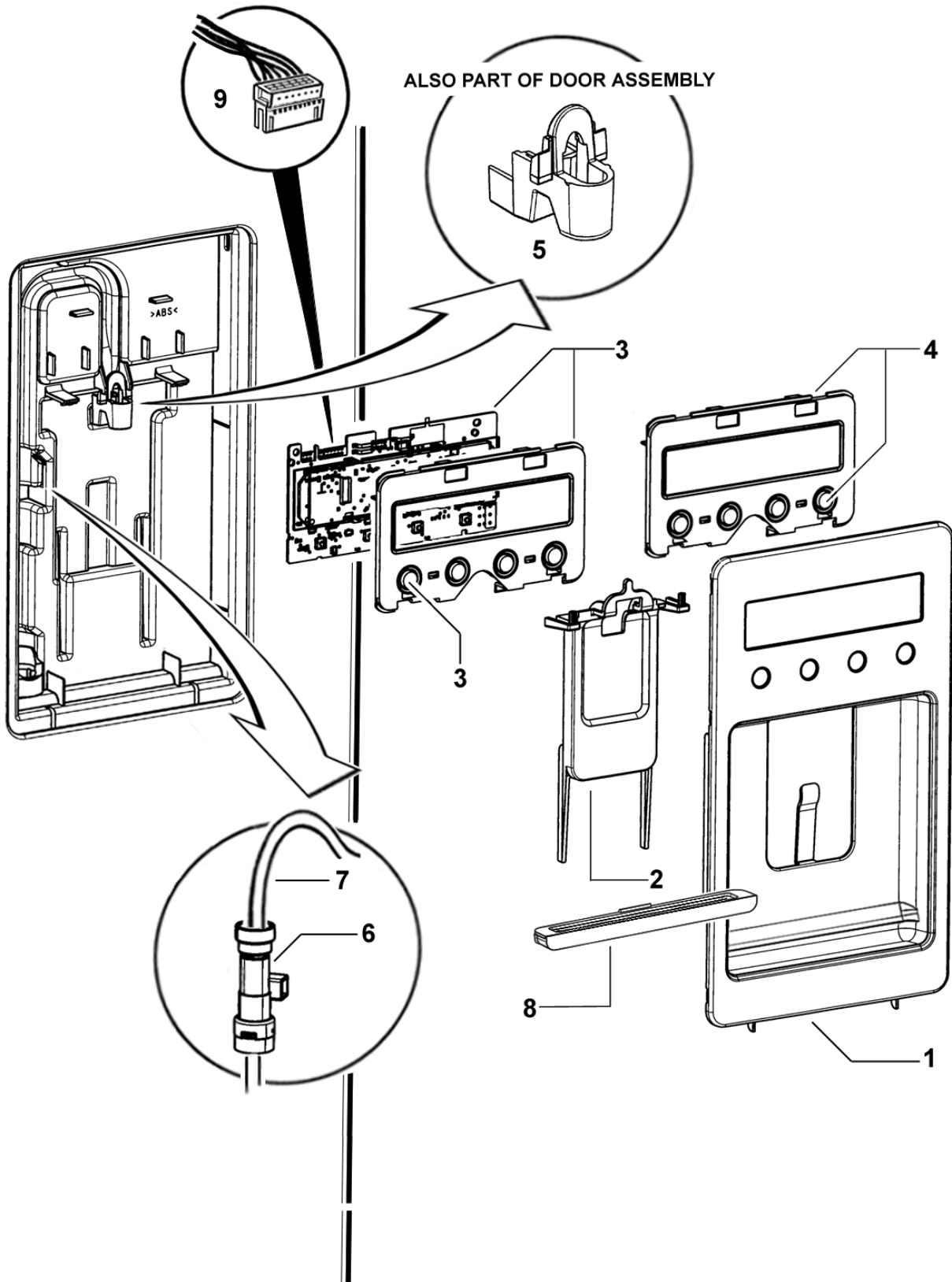


DWG001113

DOOR ASSEMBLIES & COMPONENTS

REF	PART	DESCRIPTION
1	813931	HINGE TOP DOOR FLAT
2	813926	TRIM CORNER DOOR FLAT
6	882141	COVER DOOR SHELF RH
7	882323	SHELF EGG RACK
8	882146	SHELF DOOR SML RH 790
9	882140	COVER DOOR SHELF 790 LH
10	882145	SHELF DOOR SML LH 790
11	837219P	DOOR PC SXFU 790X1030 B LH
	<i>Includes</i>	<i>HOUSING INTERFACE REAR</i>
	<i>Includes 836904</i>	<i>SPIGOT WATER DISPENSER</i>
	<i>Includes 813928</i>	<i>COVER MAGNET DOOR FLAT</i>
	<i>Includes 836895</i>	<i>INSERTER HARNESS DOOR</i>
	<i>Includes 883315</i>	<i>MAGNET DOOR SWITCH ST4 20X25X5MM</i>
	<i>Includes</i>	<i>INSTRUCTION SHEET I&W PC DOOR REPLACEMENT</i>
12	883121	DIVIDER BOTTLE RAIL WHITE
13	818851	RAIL BOTTLE SUPPORT 790 SL
14	876281P	PLUG DOOR SHELF WHITE (2)
15	882100	SHELF DOOR LARGE 790
16	883739P	GASKET ASSY E522B PC LT GREY
17	814654	CLOSING HOOK DOOR STOP LH
18	814537	DOOR STOP ASSEMBLY
19	374028P	DOOR FC G SXF 790X610 LH
	<i>Includes 813928</i>	<i>COVER MAGNET DOOR FLAT</i>
	<i>Includes 883315</i>	<i>MAGNET DOOR SWITCH ST4 20X25XX5MM</i>
20	883740P	GASKET ASSY E522B FC LT GREY
21	818844P	SCREW M5X20 GRUB (PKT 10)
22	818903	HANDLE D2 612 BRUSHED
	<i>Includes 818844</i>	<i>SCREW M5X20 GRUB</i>
23	837182P	BOSS HANDLE FLAT
25	818904	HANDLE D2 374 BRUSHED
	<i>Includes 818844</i>	<i>SCREW M5X20 GRUB</i>
26	819525P	SCREW 4.2X16MM TRILOBE PLASTITE (PKT 10)
27	837082	BEARING HINGE WATER FLAT LH
28	837083	GUIDE SERVICES DOOR LH
29	813928	COVER MAGNET DOOR FLAT
30	883315	MAGNET DOOR SWITCH ST4 20X25X5MM
31	836948P	SCREW 6X1/2 PAN PH SS (PKT 10)
32	818819	BOOKLET USE & CARE I&W USA
33	479314	CARD WARRANTY ALL PRODUCTS

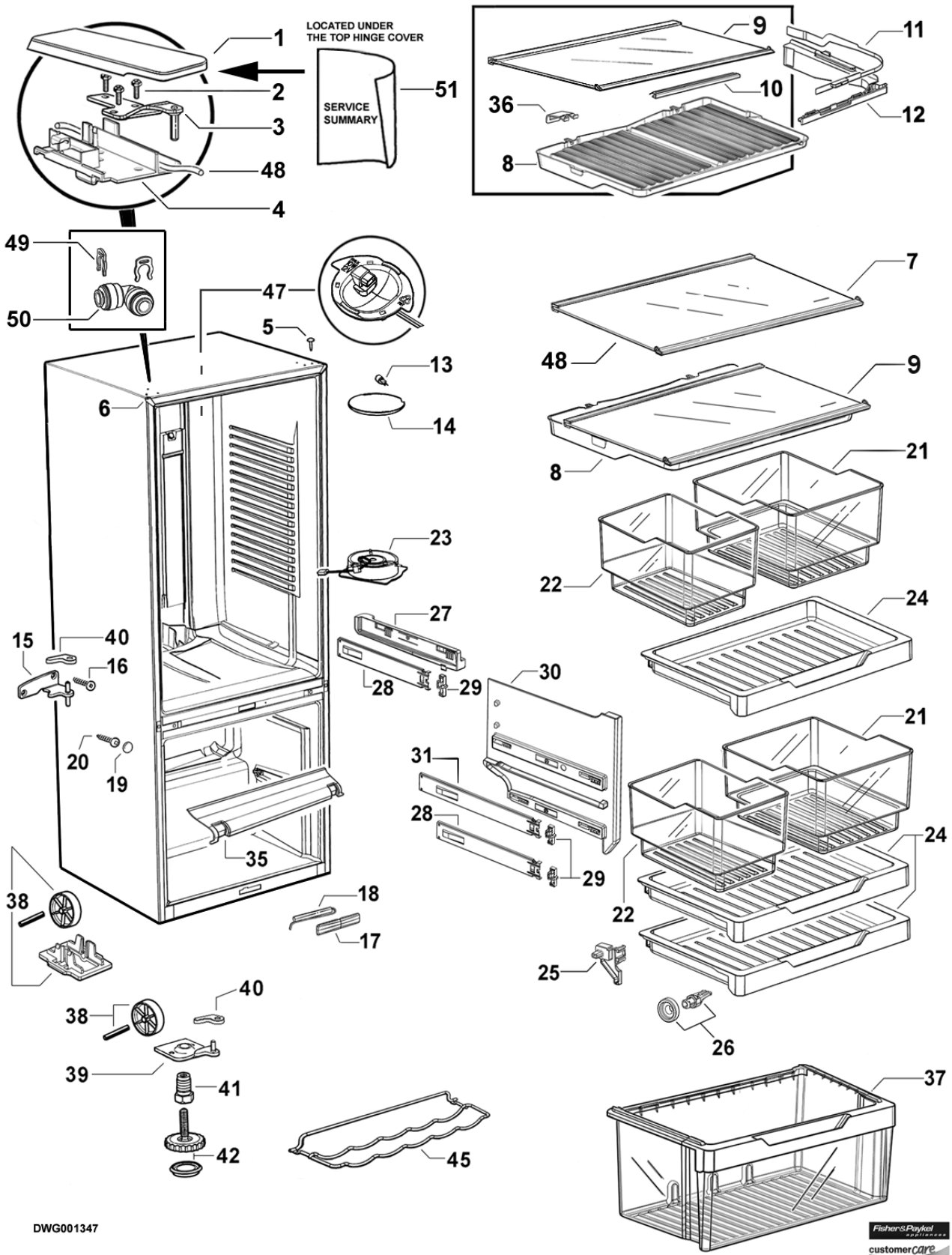
WATER DISPENSER HOUSING AND MODULE CONTROL



WATER DISPENSER HOUSING AND CONTROL MODULE

REF	PART	DESCRIPTION
1	818603P	COVER WATER DISPENSER SX
	<i>Includes</i>	<i>HOUSING INTERFACE FRONT</i>
2	836905	LEVER WATER DISPENSER
3	814857P	MODULE DISPLAY ASSEMBLY
	<i>Includes</i>	<i>MODULE ELECTRONIC DISPLAY</i>
	<i>Includes</i>	<i>WINDOW DISPLAY</i>
	<i>Includes</i>	<i>BUTTONS CONTROL DISPLAY</i>
	<i>Includes</i>	<i>HOLDER BUTTONS</i>
4	312200	WINDOW DISPLAY ASSEMBLY
	<i>Includes</i>	<i>WINDOW DISPLAY</i>
	<i>Includes</i>	<i>BUTTONS CONTROL DISPLAY</i>
	<i>Includes</i>	<i>HOLDER BUTTONS</i>
5	836904	SPIGOT WATER DISPENSER
6	836935	FLOW SENSOR
7	836838	TUBE WATER-DOOR 1/4" OD WHITE
8	836771	TRAY DRIP ASSEMBLY
	<i>Includes</i>	<i>CONTAINER TRAY DRIP I&W</i>
	<i>Includes</i>	<i>COVER TRAY DRIP I&W</i>
9	818600	HARNESS DISPLAY DOOR I & W 900 / 790 LH

CABINET COMPONENTS



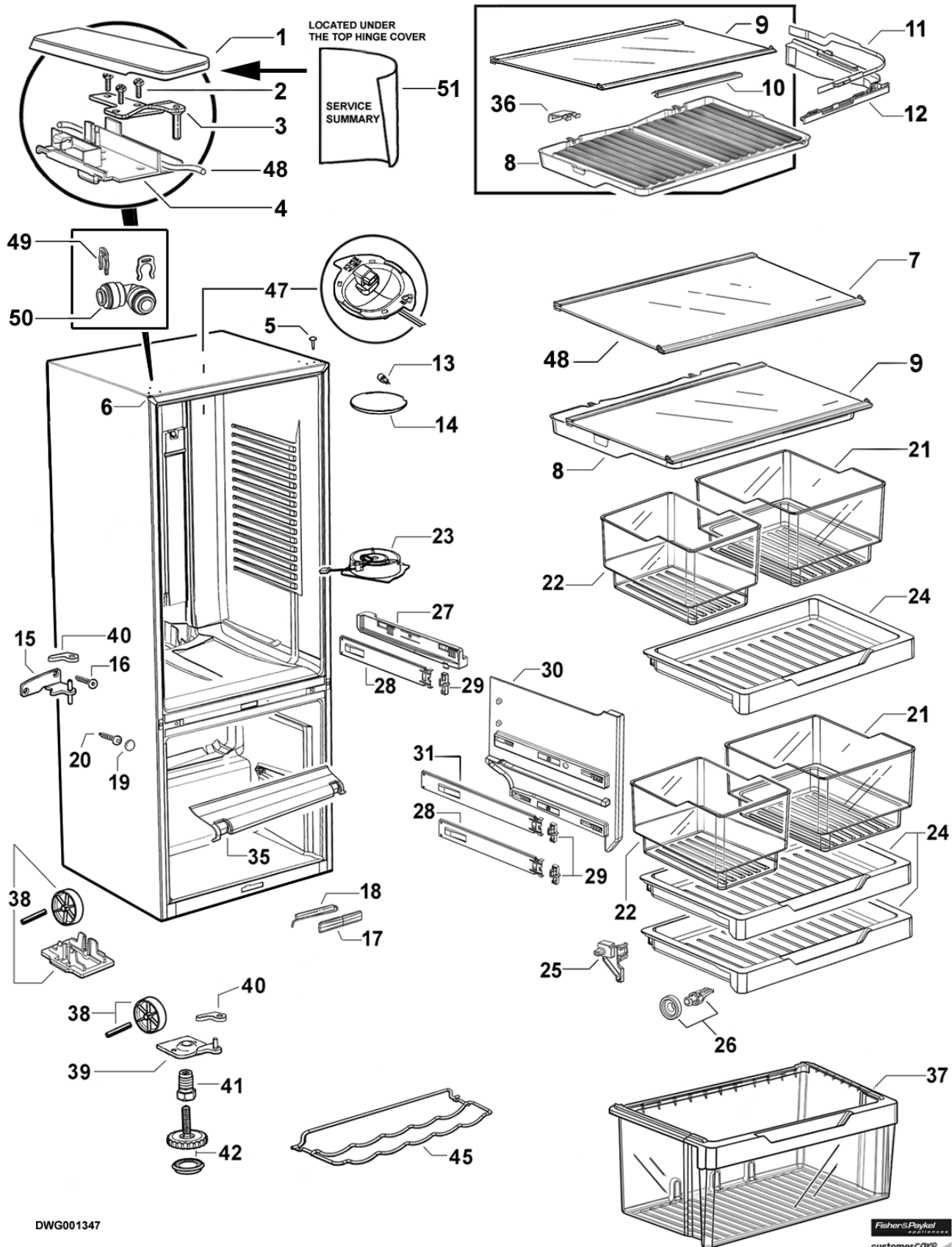
DWG001347



CABINET COMPONENTS

REF	PART	DESCRIPTION
1	836825	COVER TOP HINGE I&W
2	817818P	SCREW M5X20 HEX PH ST TV (PKT 10)
3	837081	BRACKET HINGE WATER LH ASSY
4	837084	SUPPORT HINGE TOP LH
5	883948	PLUG TAPPED HOLE SILVER
6	883951	TRIM CORNER RECESSED SILVER
7	836751	SHELF GLASS PC 790 ASSY SC
	<i>Includes 836569</i>	<i>PLUG STIFFENER SHELF RH</i>
	<i>Includes 836570</i>	<i>PLUG STIFFENER SHELF LH</i>
	<i>Includes 836567</i>	<i>PLUG TRIM SHELF RH</i>
	<i>Includes 836568</i>	<i>PLUG TRIM SHELF LH</i>
	<i>Includes</i>	<i>TRIM SHELF PC 790 SC</i>
	<i>Includes</i>	<i>STIFFENER SHELF PC 790 SC</i>
	<i>Includes</i>	<i>SHELF GLASS PC 790</i>
8	836574	LID HUMIDITY CONTROL 790B
9	836728	SHELF GLASS HCL 790B ASSY SC
	<i>Includes 836569</i>	<i>PLUG STIFFENER SHELF RH</i>
	<i>Includes 836570</i>	<i>PLUG STIFFENER SHELF LH</i>
	<i>Includes 836567</i>	<i>PLUG TRIM SHELF RH</i>
	<i>Includes 836568</i>	<i>PLUG TRIM SHELF LH</i>
	<i>Includes 819179</i>	<i>RETAINER HCL FRONT 790</i>
	<i>Includes 881268</i>	<i>BRACKET HCL SUPPORT B GLASS SHELF (2)</i>
	<i>Includes</i>	<i>TRIM SHELF HCL 790 SC</i>
	<i>Includes</i>	<i>STIFFENER SHELF PC 790 SC</i>
	<i>Includes</i>	<i>SHELF GLASS PC 790</i>
10	819179	RETAINER HCL FRONT 790
11	836631	SLIDE CONTROL HUMIDITY RH
	836633	SLIDE CONTROL HUMIDITY LH
12	836632	GUIDE CONTROL HUMIDITY RH
	836634	GUIDE CONTROL HUMIDITY LH
13	874017P	LAMP HALOGEN PC 12V 10W
14	875318	COVER LAMP PC
15	881286P	BRACKET CENTRE HINGE LH
	<i>Includes 883989</i>	<i>CAP DOOR CLOSING HINGE BKT LH</i>
16	880656P	SCREW 10GX25CSK SQ SS (PKT 10)
17	884011	COVER REED SWITCH ST4 SILVER
18	814443P	SWITCH REED FIELD FIX KIT ST4
	<i>Includes</i>	<i>HEATSHRINK 1/8" MW ADHESIVE LINED</i>
19	883953	CAP SCREW CROSS RAIL SILVER
20	817822P	SCREW #10X19 AB #2 SQ TV (PKT 10)
21	836524	BIN SMALL 790
22	836522	BIN SMALL

CABINET COMPONENTS



DWG001347

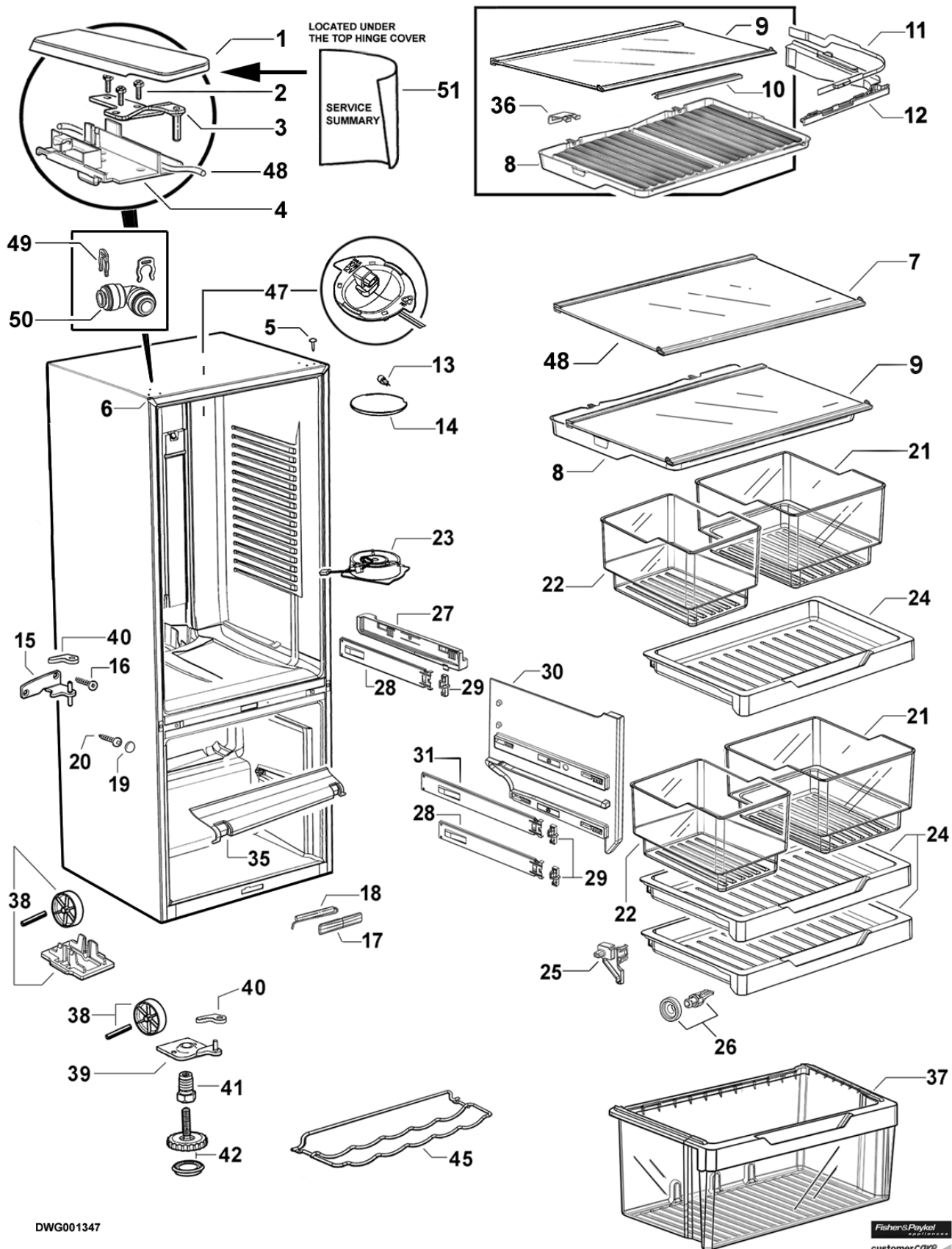


CABINET COMPONENTS

REF	PART	DESCRIPTION
23	884518P	FAN & HOUSING PC ASSY
	<i>Includes</i>	CONNECTOR IDC UP2 (2)
	<i>Includes</i>	LABEL WARNING 12 VOLT DC
	<i>Includes</i>	FAN & HOUSING PC ASSY
24	836514	TRAY 790
25	836585	SKID TRAY RH
	836586	SKID TRAY LH
26	836517	WHEEL & CHASSIS ASSEMBLY (PKT 2)
27	836810	RETAINER SLIDE PC 790 RH ASSY RC
	<i>Includes</i>	RETAINER SLIDE PC 790 RH
	<i>Includes</i> 836700	SLIDE 305 RH ASSEMBLY
	<i>Includes</i> 836520	CLIP SLIDE
	836809	RETAINER SLIDE PC 790 LH ASSY RC
	<i>Includes</i>	RETAINER SLIDE PC 790 LH
	<i>Includes</i> 836701	SLIDE 305 LH ASSEMBLY
	<i>Includes</i> 836520	CLIP SLIDE
28	836700	SLIDE 305 RH ASSEMBLY RC
	<i>Includes</i> 836520	CLIP SLIDE
	836701	SLIDE 305 LH ASSEMBLY RC
	<i>Includes</i> 836520	CLIP SLIDE
29	836520P	CLIP SLIDE (PKT 2)
30	836545	RETAINER SLIDE FC RH
	836546	RETAINER SLIDE FC LH
31	836702	SLIDE 355 RH ASSEMBLY RC
	<i>Includes</i> 836520	CLIP SLIDE
	836703	SLIDE 355 LH ASSEMBLY RC
	<i>Includes</i> 836520	CLIP SLIDE
35	836595	DUCT RETURN AIR FC 790
36	881268	BRACKET HCL SUPPORT B GLASS SHELF
37	836661	BIN ASSEMBLY LARGE 790
	<i>Includes</i>	HANDLE BIN LARGE
38	315090P	KIT WHEEL BRACKET CLIP
	<i>Includes</i>	PIN ROLLER PLATED
	<i>Includes</i>	ROLLER FOOT FRONT
	<i>Includes</i>	CLIP WHEEL BRACKET
39	814690P	BRACKET HINGE BASE LH ASSY AUST
	<i>Includes</i> 883989	CAP DOOR CLOSING HINGE BKT LH
40	883989P	CAP DOOR CLOSING HINGE BKT LH
41	817824	BOLT BTTM HINGE BRKT TV
42	818535	FOOT LEVELLING ASSEMBLY RC
	<i>Includes</i>	WHEEL LEVELLING FOOT ASSY
	<i>Includes</i>	BASE LEVELLING FOOT
45	818854	RACK BOTTLE 790 SL

Continued next page

CABINET COMPONENTS



DWG001347

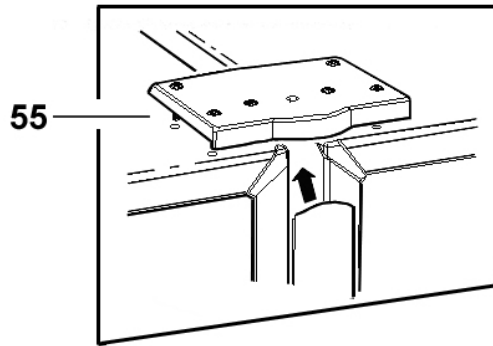


CABINET COMPONENTS

REF	PART	DESCRIPTION
47	814415	HOUSING & LIGHT 12V ASSEMBLY
48	836838	TUBE WATER-DOOR 1/4" OD WHITE
49	837193P	COLLET LOCKING CLIP PIC1808R (PKT 2)
50	837192	CONNECTOR WATER ELBOW CI 0308W
51	819444	LEAFLET SERVICE SUMMARY USA I & W

CABINET ACCESSORIES

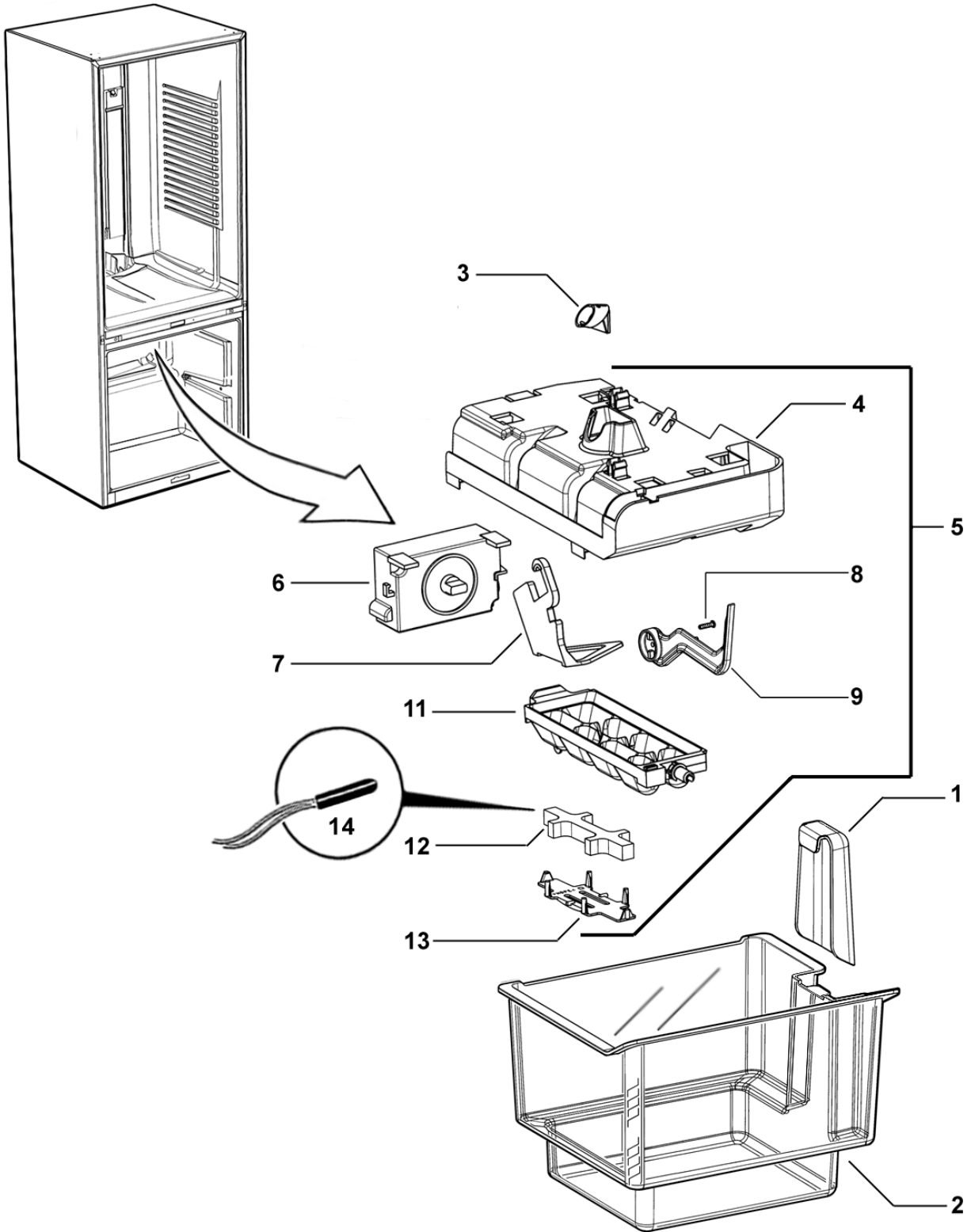
Fisher & Paykel
appliances



CABINET ACCESSORIES

REF	PART	DESCRIPTION
55	819264	KIT JOINER SILVER
56	818758	KIT SURROUND STAINLESS 790 LH
	818759	KIT SURROUND STAINLESS 790 X2

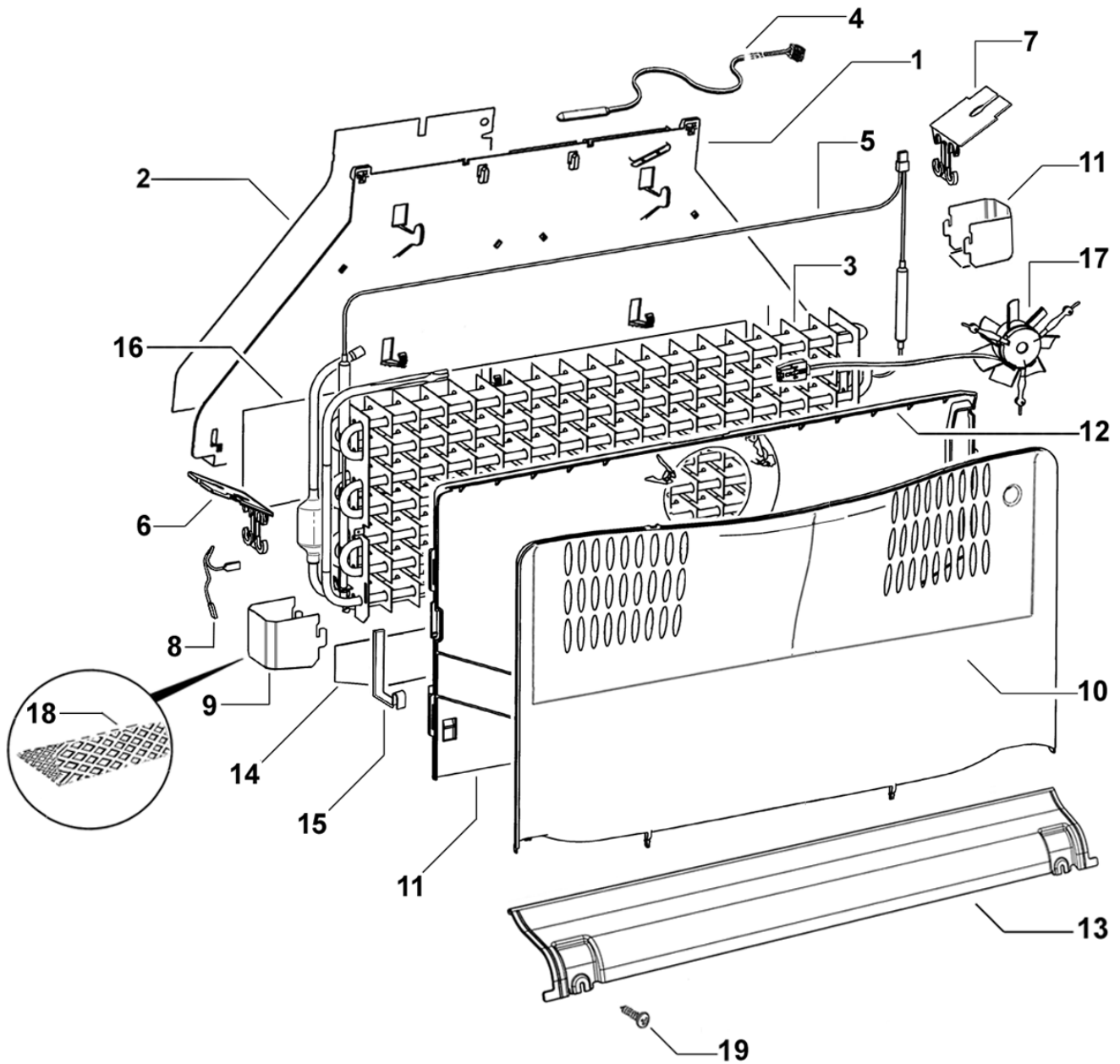
ICE MAKER COMPONENTS AND ICE BIN



ICE MAKER COMPONENTS AND ICE BIN

REF	PART	DESCRIPTION
1	836929	SCOOP ICE
2	836886	BIN AND SCOOP ASSEMBLY
	<i>Includes 836928</i>	<i>BIN ICE</i>
	<i>Includes 836929</i>	<i>SCOOP</i>
3	836936	SPIGOT FILL ICE MAKER
4	836915	HOUSING ICE MAKER
5	836884	ICEMAKER ASSEMBLY
	<i>Includes 836907</i>	<i>TRAY ICE AUTO</i>
	<i>Includes 836910</i>	<i>LEVER GEAR BOX ICE</i>
	<i>Includes 836915</i>	<i>HOUSING ICE MAKER</i>
	<i>Includes 836934</i>	<i>GEARBOX ICE MAKER</i>
	<i>Includes 836948</i>	<i>SCREW 6X1/2 PAN PH SS</i>
6	836934	GEARBOX ICE MAKER
7	836912	LEVER BIN DETECT
8	836948P	SCREW 6X1/2 PAN PH SS (PKT 10)
9	836910	LEVER GEAR BOX ICE
11	836907	TRAY ICE AUTO
12	836909	FOAM CLIP SENSOR
13	837180	CLIP SENSOR ICE TRAY
14	312199	SENSOR KIT ASSY ICE MAKER
	<i>Includes</i>	<i>SENSOR THERMISTOR ICE MAKER</i>
	<i>Includes</i>	<i>HEATSHRINK 1/8" MW ADHESIVE LINED</i>

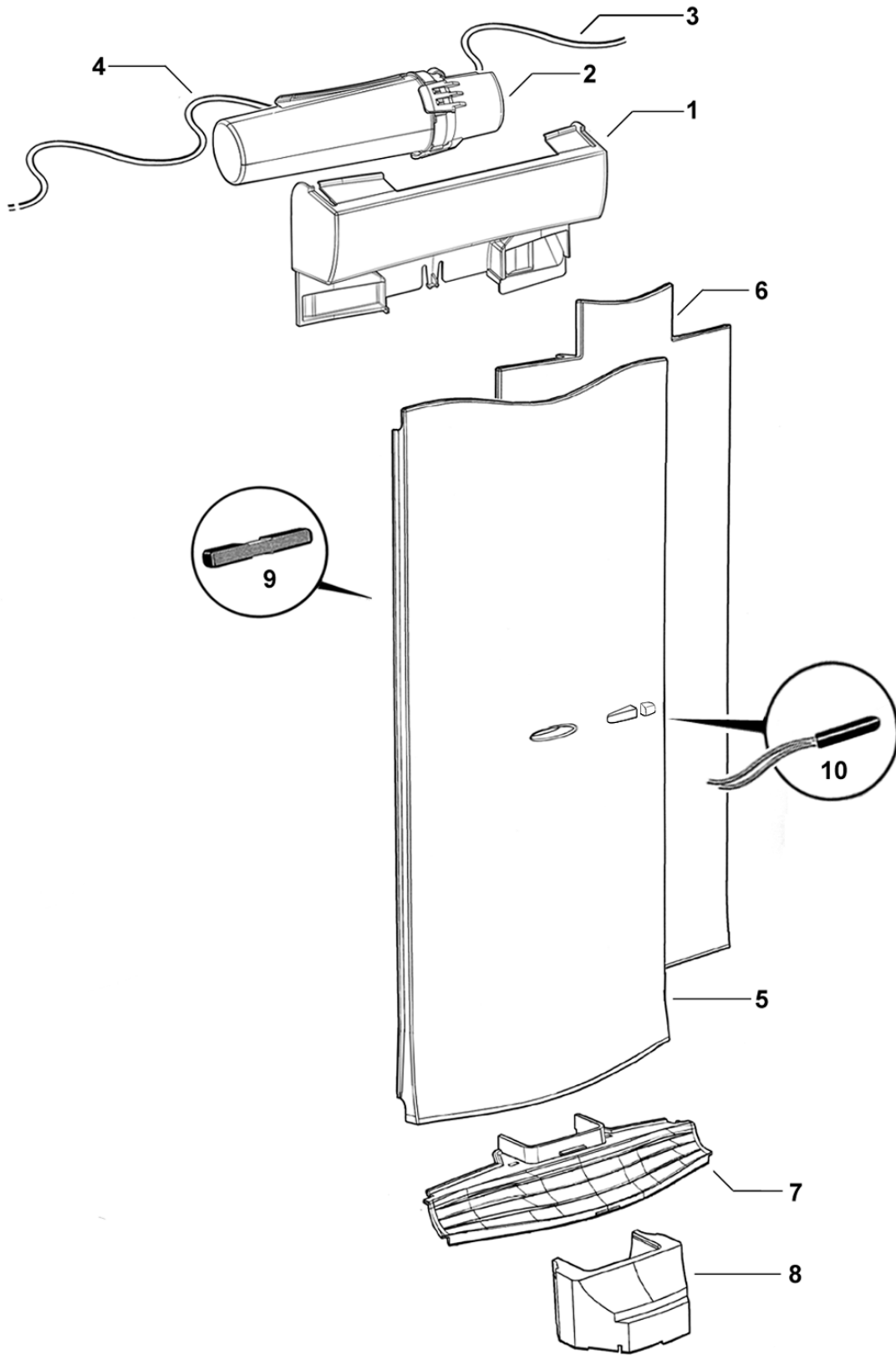
FAN, COVERS AND EVAPORATOR ASSEMBLIES



FAN, COVERS & EVAPORATOR ASSEMBLIES

REF	PART	DESCRIPTION
1	814475	CHASSIS EVAP 790B
2	884315	DEFLECTOR HEAT 790B
3	814826P	EVAP ASSY 790B 120V
	<i>Includes</i>	<i>EVAPORATOR FINNED 790</i>
	<i>Includes 818980</i>	<i>HEATER DEFROST 120V 790</i>
	<i>Includes 813992</i>	<i>CLIP ACTIVE SMART BAFFLE</i>
	<i>Includes 814426</i>	<i>CLIP EVAP BAFFLE 60MM</i>
	<i>Includes 814475</i>	<i>CHASSIS EVAP 790B</i>
	<i>Includes 814713</i>	<i>SHIELD EVAP CHASSIS 790B</i>
4	855203P	SENSOR KIT ASSY ACTIVE SMART PC/FC DF
	<i>Includes</i>	<i>HEATSHRINK 1/8" MW ADHESIVE LINED</i>
	<i>Includes</i>	<i>SENSOR THERMISTOR PC</i>
5	818980P	HEATER DEFROST 120V 790
6	813992	CLIP ACTIVE SMART BAFFLE
7	814426	CLIP EVAP BAFFLE 60MM
8	814460	HARNESS EARTH 100MM
9	814708	SHIELD HEATER LEFT HAND
10	873395	COVER FAN FC FRONT E790B
11	814709	SHIELD HEATER RIGHT HAND
12	306096P	FAN FC KIT 790 SERIES A to D
	<i>Includes</i>	<i>COVER FAN FC REAR 790</i>
	<i>Includes</i>	<i>CONNECTOR IDC UP2 (2)</i>
	<i>Includes</i>	<i>LABEL WARNING 12 VOLT DC</i>
	<i>Includes</i>	<i>FAN DC SUSPENDED FC ASSY</i>
13	836595	DUCT RETURN AIR FC 790
14	883783	SHIELD FC REAR COVER 790
15	814653	CLIP DEFOST HEATER B EVAP
16	814713	SHIELD EVAP CHASSIS
17	306096P	FAN FC KIT 790 SERIES A to D
	<i>Includes</i>	<i>COVER FAN FC REAR 790</i>
	<i>Includes</i>	<i>CONNECTOR IDC UP2 (2)</i>
	<i>Includes</i>	<i>LABEL WARNING 12 VOLT DC</i>
	<i>Includes</i>	<i>FAN DC SUSPENDED FC ASSY</i>
18	884249	GRILLE EVAPORATOR 790B USA
19	817825P	SCREW 8X22 WAFER PH ST TV (PKT 10)

WATER TANK AND DUCT COVERS

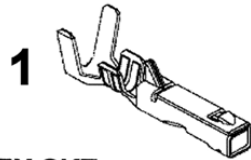


WATER TANK AND DUCT COVERS

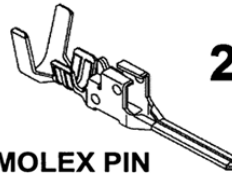
REF	PART	DESCRIPTION
1	836849	COVER DUCT TOP WATER
	<i>Includes</i>	<i>TAPE FOAM 440X6X3 S/CELL P3</i>
2	836846	TANK DISPENSER ASSEMBLY
	<i>Includes</i>	<i>CAP TANK DISPENSER</i>
	<i>Includes</i>	<i>BASE TANK DISPENSER</i>
	<i>Includes</i>	<i>BAFFLE TANK DISPENSER</i>
3	836838	TUBE WATER-DOOR 1/4" OD WHITE
4	837162	TUBE WATER TANK INLET 5/16" OD BLUE
5	836861	COVER DUCT PC LONG WATER
6	873950	INSULATION COVER DUCT LG B
7	813287	GRILLE PC RETURN AIR B MODEL
8	872833	INSULATION INSERT PLUG-IN-DIVIDER B MODELS
9	883945	FILTER DEODORANT
10	855203P	SENSOR KIT ASSY ACTV SM PC/FC DF
	<i>Includes</i>	<i>HEATSHRINK 1/8" MW ADHESIVE LINED</i>
	<i>Includes</i>	<i>SENSOR THERMISTOR PC</i>

ACTIVE SMART ST4 TERMINALS PLUGS & SOCKETS

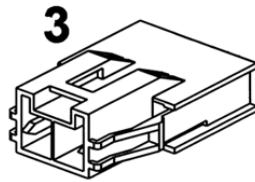
ACTIVE SMART STAGE 4 TERMINALS, PLUGS AND SOCKETS



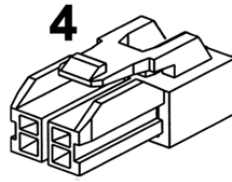
1
MOLEX SKT



2
MOLEX PIN



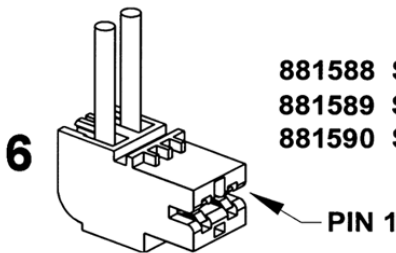
3
MOLEX CAP FEMALE



4
MOLEX PLUG MALE

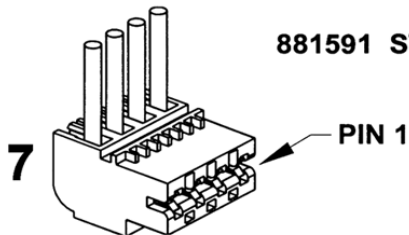


5
MOLEX RETAINER

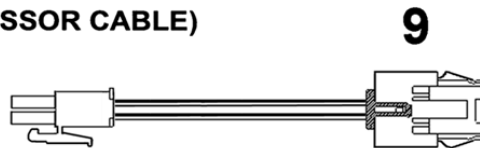


6
881588 STOCKO 9290-02-AB01-000-960 (Mains cord)
881589 STOCKO 9290-02-BA01-000-960 (Defrost Heater)
881590 STOCKO 9290-02-EE01-000-960 (Run Capacitor)

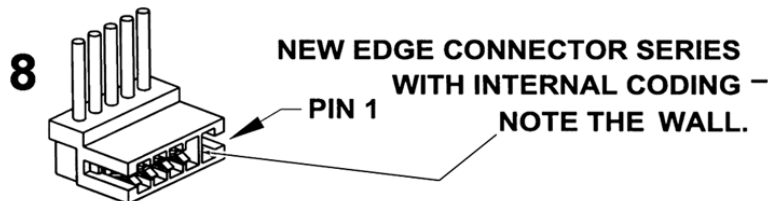
NOTE THAT IN THE PART NAMES OF THESE CONNECTORS, THE -02- REFERS TO IT BEING A 2 WAY CONNECTOR, AND THE -AB01- (FOR EXAMPLE) REFERS TO THE CODING OF THE CONNECTOR. STOCKO IS THE MANUFACTURER OF THESE CONNECTORS.



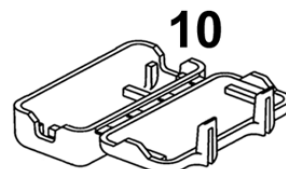
7
881591 STOCKO 9290-04-EF02-000-960
(COMPRESSOR CABLE)



9
HARNESS ADAPTOR DEFROST HEATER



8
NEW EDGE CONNECTOR SERIES
WITH INTERNAL CODING -
NOTE THE WALL.



10
NOTE: TO MINIMISE THE NUMBER OF SPARE PARTS THAT NEED TO BE CARRIED, THESE CODED CONNECTORS ARE TO BE REPLACED WITH THEIR UN-CODED EQUIVALENTS. FOR THE 3, 5 AND 6 WAY CONNECTORS USED ON STAGE 4 CABINETS

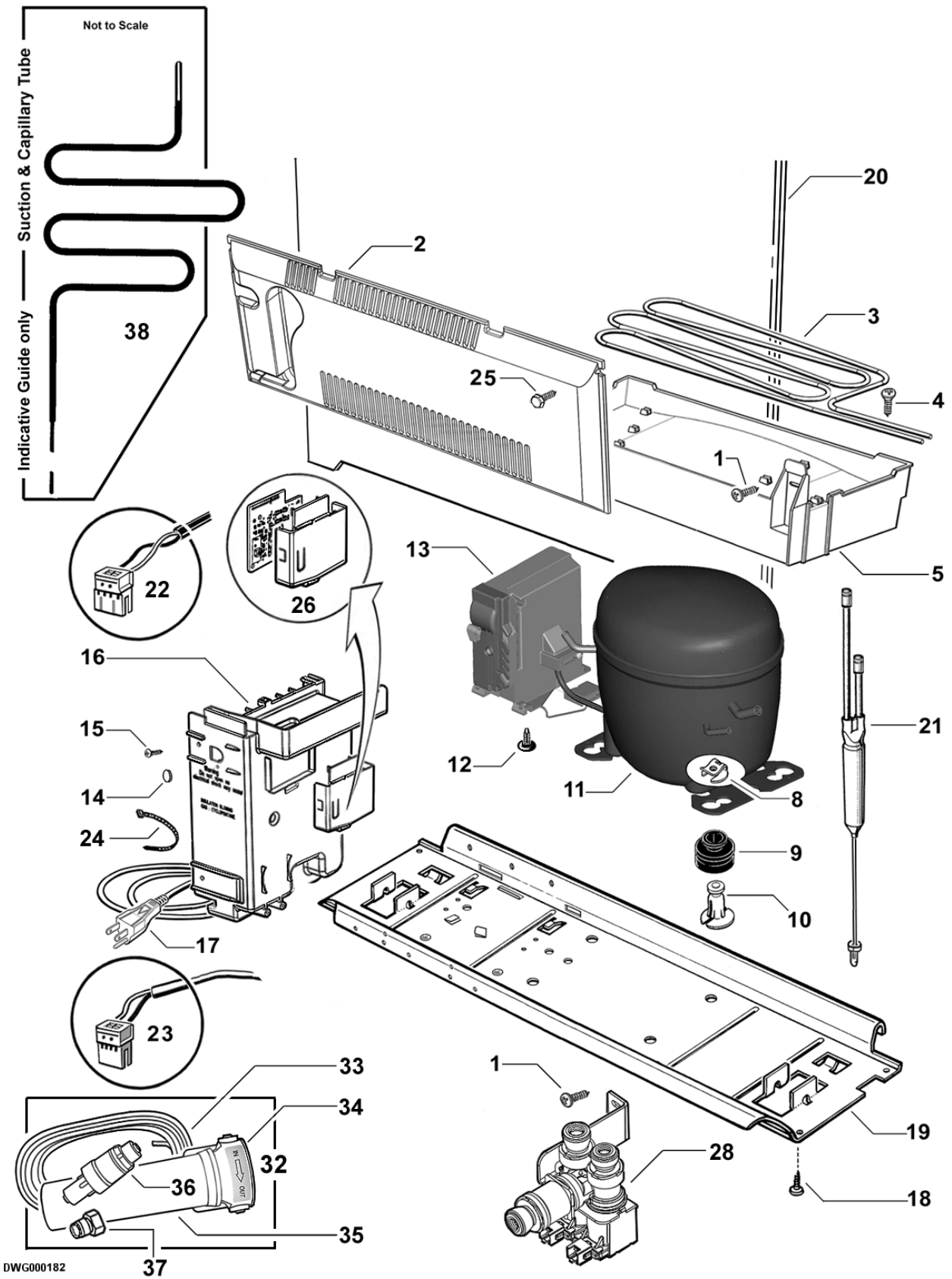
ACTIVE SMART ST4 TERMINALS PLUGS & SOCKETS

REF	PART	DESCRIPTION
1	881595	SOCKET 16-22AWG 50597-8100 MLX
	881596	SOCKET 20-26AWG 50598-8100 MLX
2	881597	PIN 16-22AWG 50599-8100 MLX
	881598	PIN 20-26AWG 50600-8100 MLX
3	881592	CAP FEMALE 51139-0200 MLX
4	881593	PLUG MALE 51138-0200 MLX
5	881594	RETAINER 51140-0205 MLX
6	881588	CONNECTOR RAST 9290-02-AB01
	881589	CONNECTOR RAST 9290-02-BA01
	881590	CONNECTOR RAST 9290-02-EE01
7	881591	CONNECTOR RAST 9290-04-EF02
8	873243	CONNECTOR RAST 7234-012-500
	873247	CONNECTOR RAST 7234-006-500
	873248	CONNECTOR RAST 7234-010-500
	873250	CONNECTOR RAST 7234-004-500
	873251	CONNECTOR RAST 7234-003-500
	873279	CONNECTOR RAST 7234-008-500
	881135	CONNECTOR RAST 7234-005-500
881136	CONNECTOR RAST 7234-014-500	
	881137	CONNECTOR RAST 7234-017-502
9	855305	HARNESS ADAPTOR DEFROST HEATER
10	884412	COVER PLUG MLX

NOTE: THE NUMBERS IN THE DESCRIPTION OF THE RAST CONNECTOR DENOTES THE NUMBER OF CONNECTIONS

EXAMPLE: 7234-017-502 =17 WAY CONNECTOR

COMPRESSOR, ANCILLARY COMPONENTS & CONTROL MODULE



DWG000182

COMPRESSOR, ANCILLARY COMPONENTS & CONTROL MODULE

REF	PART	DESCRIPTION
1	817817P	SCREW #8X12 SP PAN NIB ST TV (PKT 10)
2	837153	COVER COMPRESSOR 790 USA
3	814684	TUBE EVAP TRAY FORMED H/SHRINK
4	815236P	SCREW #12X1/2 CSK PH TV (PKT 10)
5	814623	TRAY WATER EVAP
8	855270P	CLIP FOOT COMPRESSOR (PKT 4)
9	881443P	GROMMET COMPRESSOR MOUNTING 33MM (PKT 4)
10	881444	POST COMPRESSOR MNTG 33MM
11	884259P	COMPRESSOR EMBRACO VEGY 6H VCC 110V 60HZ
	<i>Includes 813271</i>	<i>CLIP INVERTER MOUNTING (2)</i>
	<i>Includes 813682</i>	<i>SCREW INVERTER (2)</i>
	<i>Includes 813683</i>	<i>CAP CABLE INVERTER</i>
	<i>Includes 814843</i>	<i>FILTER LONG TAIL XH9 12GRM</i>
	<i>Includes 884260</i>	<i>INVERTOR COMPRESSOR 115V VCC</i>
12	813271	CLIP INVERTER MOUNTING
13	884260	INVERTOR COMPRESSOR 115V VCC
14	875861	PLUG PLASTIC LT GREY
15	817829P	SCREW 8X16 SP PAN NIB PH TV (PKT 10)
16	814529P	MODULE CONTROL AS ST4.2 100-120V
17	884244	CABLE SUPPLY USA ST4
18	817831P	SCREW #8X16 SP PAN NIB ST TV (PKT 10)
19	814905	TRAY COMPRESSOR MOUNTING 790
20	882137	PANEL BACK & CONDENSER ASSEMBLY
21	814843P	FILTER LONG TAIL XH9 12GRM
22	884242	HARNESS VCC SIGNAL
23	884243	HARNESS VCC POWER
24	900325	TIE PLASTIC 140MM PLT 1.5M-M
25	901397	SCREW 8GX15 HEX HD
26	814856P	MODULE ICE P42 I&W
28	814859	VALVE DUAL I&W
32	836847	KIT FILTER WATER USA
	<i>Includes 836848</i>	<i>CARTRIDGE FILTER WATER</i>
	<i>Includes 836855</i>	<i>HEAD FILTER WATER</i>
	<i>Includes 836857</i>	<i>TUBE FILTER WATER 1/4" OD WHITE 4m</i>
	<i>Includes 836858</i>	<i>VALVE WATER REDUCING FLOW MATE USA</i>
	<i>Includes 837193</i>	<i>CLIP COLLET LOCKING PIC1808R</i>
	<i>Includes 312198</i>	<i>ADAPTOR TAP-TUBE 1/4" OD X 7/16"-24 UNS</i>
33	836857	TUBE FILTER WATER 1/4" OD WHITE 4m
34	836855	HEAD FILTER WATER
35	836848	CARTRIDGE FILTER WATER
36	836858	VALVE WATER REDUCING FLOW MATE USA
37	312198	ADAPTOR TAP-TUBE 1/4" OD X 7/16"-24 UNS
38	817864	SUCTION & CAPILLARY ASSY 790B RC

NOTES

REFRIGERATION ABBREVIATION KEY

10W	10 WATTS
12V	12 VOLTS
BC	BUTTER CONDITIONER
BS	"B" SERIES CABINET
CH	CHARCOAL COLOUR
DC	DIRECT CURRENT
DF	DEFROST
DK GY	DARK GREY
F&P	FISHER & PAYKEL
FC	FREEZER COMPARTMENT
GL	GLASS
HC	HUMIDITY COMPARTMENT
HCL	HUMIDITY CONTROL LID
HS	HOT STAMPED
I & W	ICE & WATER
LH	LEFT HAND
LHB	LEFT HAND BOTTOM
LHT	LEFT HAND TOP
LT GY / LG	LIGHT GREY
M5	5 MILLIMETER
MD GY	MID GREY
PC	PROVISION COMPARTMENT
PUSHIN	PUSHIN TYPE GASKET
RH	RIGHT HAND
RHB	RIGHT HAND BOTTOM
RHT	RIGHT HAND TOP
SA or S/STONE	SANDSTONE COLOUR
SATIN OR SC	SATIN CHROME FINISH
SL or SIL	SILVER
SML	SMALL
SS	STAINLESS STEEL
X/RAIL	CROSS RAIL
XH9	TYPE OF DESSICANT WITHIN A FILTER DRIER